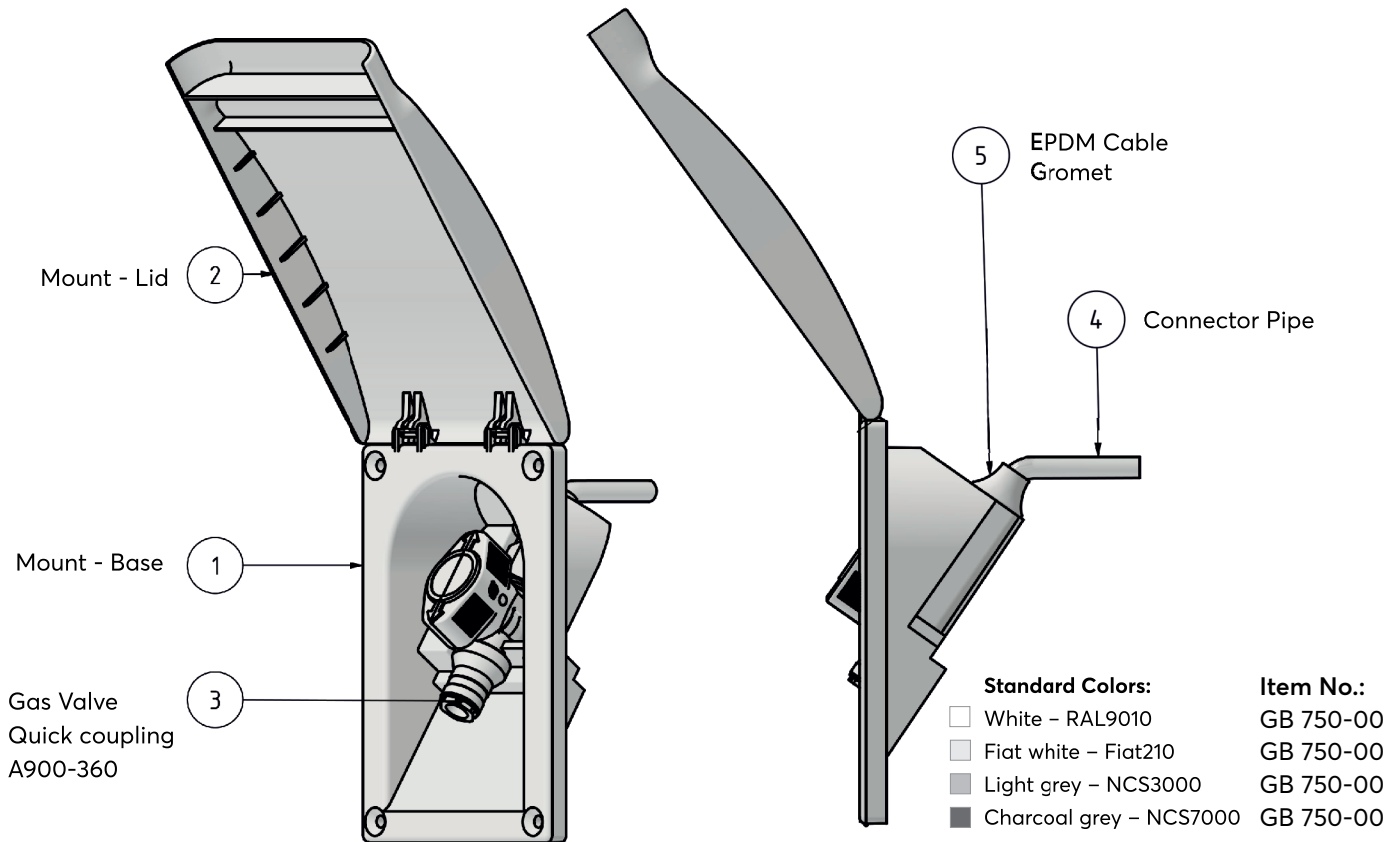




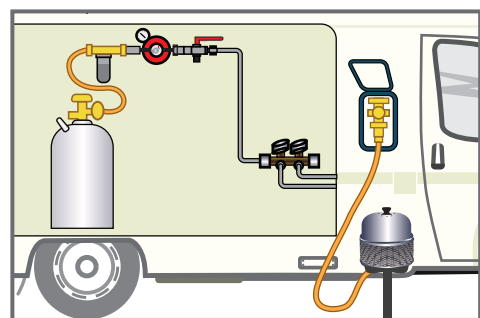
Integrated Gas Technologies

GAS OUTTAKE



Gas Outtake

- Click cover - closing smoothly
- Quick acting valve with quick coupling - Only open for gas flow when gas hose is connected.
- Exchangeable cover - wind stable.
- Optimized design for valve on/off operation and connection of gas hose.



As a global gas regulator manufacturer IGT takes pride in product quality & durable products. We support UN Sustainable Development Goals with special focus on 3, 12 & 13. An extended product lifetime reduces environmental footprint.



INTEGRATED GAS TECHNOLOGIES ApS

Gydevang 39-41, 3450 Allerød Denmark.

E-Mail: sales@igt-lpg.com - Tel: +45 45 76 99 21



Scan Qr Code to Visit Our Website
www.igt-lpg.com