

**40+ MILLION**  
**SAFE & HAPPY FAMILIES**  
WORLDWIDE



**Boat  
Gas Fittings**



# Enjoy The Safety & Comfort of Safe Gas Consumption While Sailing



## CONTENT

01	About Us
02	Gas Connection Solution for Boats
03	Gazview
04	Regulators
05	Accessories
06	GasOkay



DENMARK

## Welcome to Integrated Gas Technologies

IGT is one of the Global leaders in the market for regulators and hoses for butane and propane cylinders.

IGT Headquartered in Denmark has two factories, NBSX located in Ningbo, China since 2004 and IGCT located in Hyderabad, India since 2016. IGT employs 245 people.

IGT uses the best raw materials such as zamac3, brass, steel and rubber for all components. In addition, we perform 100% quality control on both assembly and assembled finished products.

All LPG regulators come with a 5 year product warranty and \$ 5 million product liability insurance.

The factories have been audited and approved among others by international gas appliance companies and meet the high standards of these customer segments. Both factories are ISO9001 certified and in 2014 the NBSX factory was also BSCI certified ([www.bsci-int.org](http://www.bsci-int.org)), a social enterprise initiative aimed at ensuring compliance with the European Code of Conduct on Social Responsibility.

IGT aligns its production with the 17 United Nations Sustainable Development Goals to achieve a better and more sustainable future for all of us.



**02**

## Gas Connection Solution for Boats

### Single gas cylinder supplying line of the recreational Boat.

#### Application example:

The low pressure regulator is connected directly to the gas cylinder. The medium pressure hose assembly creates the connection to the boat supply line. The inbuilt manual excess flow valve allows use of gas while sailing. According to EN1949 / ISO 10239.

IGT GasOkay unit that can be installed inside the boat next to your cooking stove and from there leak test can be done regularly by pushing the unit piston down.

In several countries such leak tester is a must to obtain insurance coverage for the boat.

IGT Marine Regulators meets EN16129/M. They pass 500 hours corrosion test and all springs internally are stainless steel. Estimated life in Marine environment is 6 years.

#### REGULATOR

For connection to gas cylinders to regulate the pressure to the nominal pressure of the gas equipment.

#### HOSE

Medium pressure hose assembly rubber, to connect fittings, consumer equipment and piping.

#### VALVE

Distributor valve, quick acting valve, only completely open or closed setting.

#### GAS OUT TAKE BOX

to connect additional gas equipment, such as BBQ in the boat cockpit

#### GAZ VIEW

Gas weight for gas cylinders with display + bluetooth remote transmission of the measurement and signalling data to a smartphone or tablet, by the Gaz View app.

# Schematic Installation Setup

## REGULATOR

Reference A235isp-PM PRV



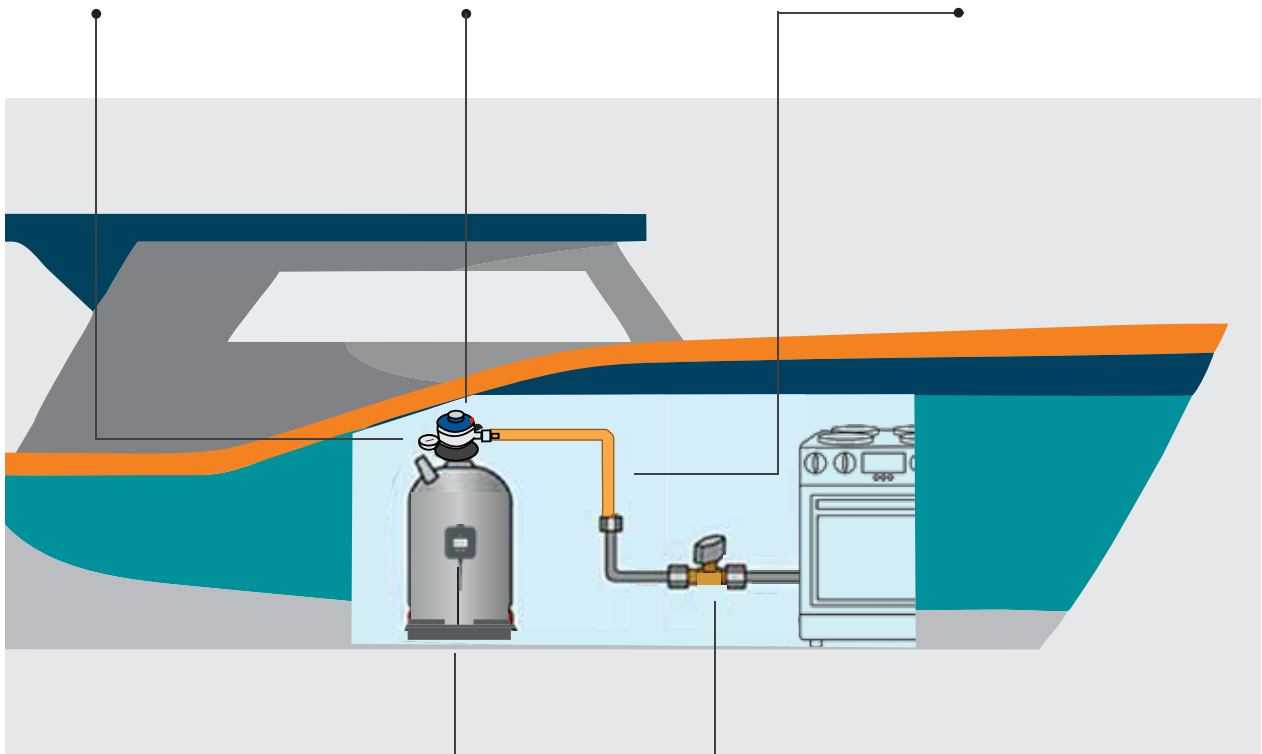
## REGULATOR

Reference A511isp-PM



## HOSE

Reference S006-008



## IGAZVIEW

Reference H700-500



## VALVE

Reference A900-152-B



## GAS OUT TAKE BOX

Reference GB750-001

## 03 iGasView

iGasView by weight devices primarily for control & monitoring of gas consumption in gas cylinders. Secondly for control of cooking thermometer, for outdoor gas bbq or indoor ovens.



### Water Tight Design , Corrosion Free Materials Impact Resistant

**Precise:** Accurately measures the filling level of your cylinder as a percentage and in kg and tells you estimated time to being empty.

**Convenient:** Easy to use and convenient to operate with Gazview App. Display for offline use.

**Practical:** It is easy to attach below the cylinder and remove when you replace the cylinder.

Works with all common European steel, Aluminum and composite gas cylinders.

#### Technical data

Weight (incl battery): 300g  
Dimension: 250mm diameter  
Power supply: 3V/2x1.5V alkaline AAA battery  
Power consumption: max. 70mA  
Operating temperature: -20°C to +50°C  
Bluetooth: Class 2  
Gas type: Propane/butane

Bluetooth - FCC approved for USA and EU.





# 04

## Regulators

Complys to EN16129/D&M



**Convenient:** The click on inlet allows easy mounting of regulator to gas cylinder. Manometer for gas leak test and indication of low gas level in cylinder on the visual display.

**Versatile:** Can also be used in commercial vehicles. National rules may apply.

**Application:** For use in Boats, meet EN16129 appendix M & ISO10239. Installation shall be made to EN1949. Professional gas leak test as per EN1949 - recommended. DVGW arbeitslatt G607. Leak test to be conducted though the test point M5 on the ball valve. Observe hose length of Maximum 400 mm to cope tubing.

**Reference:** A235isp-PM PRV

### Technical data

Gas type: LPG  
Inlet: 35 mm  
Outlet: 1/4"LH - M20x1.5  
Capacity: 1.5kg/h  
Outlet pressure options: 30mbar  
With manometer for gas level/gas leak indication.  
With Manual Excess flow.  
360degree rotating manometer.  
Regulator Size: Diameter 63mm

### Inlets Available

35 mm - DK-NO-FI-ES-PT-IE-EE-CY-BG  
\*BG - Special spindle needed  
16mm - TR



**Convenient:** See the operating status of the gas cylinders (empty/full) on the visual display

**Versatile:** Can also be used in commercial vehicles. National rules may apply.

**Application:** For use in Boats, meet EN16129 appendix M & ISO10239. Installation shall be made to EN1949. Professional gas leak test as per EN1949 - recommended. DVGW arbeitslatt G607. Leak test to be conducted though the test point M5 on the ball valve. Observe hose length of Maximum 400 mm to cope tubing.

**Reference:** A311iep- PM PRV

### Technical data

Gas type: LPG  
Inlet: Numerous possible types of inlet  
Outlet: 1/4"LH - M20x1.5  
Capacity: 1.5kg/h  
Outlet pressure options: 30mbar  
With manometer for gas level/gas leak indication. With Manual Excess flow.  
360degree rotating manometer.  
Regulator Size: Diameter 63mm

### Inlets Available

G1 - IT-GR  
G2 - FR-CH-LV-LT-CZ-SK-SL-H-BE  
G4 - HU-TR  
G5 - NL  
G7 - UK  
G8 - UK  
G10 - BE-IS-SE  
G12 - PL-DE-AT-CH-NL

## Regulators



**Convenient:** The Compact inlet allows easy mounting of regulator to gas cylinder. Manometer for gas leak test and indication of low gas level in cylinder on a visual display.

**Versatile:** Can also be used in commercial vehicles.

**Application:** For use in Boats, meet EN16129 appendix M & ISO10239. Installation shall be made to EN1949. Professional gas leak test as per EN1949 - recommended. DVGW arbeitslatt G607. Leak test to be conducted though the test point M5 on the ball valve. Observe hose length of Maximum 400 mm to cope tubing.

**Reference:** A100isp-PRV

### Technical data

Gas type: LPG  
Inlet options: 20/21/22/25.6/27mm  
Outlet options: 1/4"LH - M20x1.5  
Capacity 1.5kg/h  
With manometer for gas level/gas leak indication.  
With Manual Excess flow.  
360degree rotating manometer.  
Regulator Size: Diameterø63mm

### Inlets Available

20mm - HU-PT-FR  
21mm - DK-UK  
22mm - MT-PT-IT  
27mm - UK-BE-FR



**Convenient:** Complete Set

**Reference:** A235is-PM270 with hose and ball valve with test point M5.

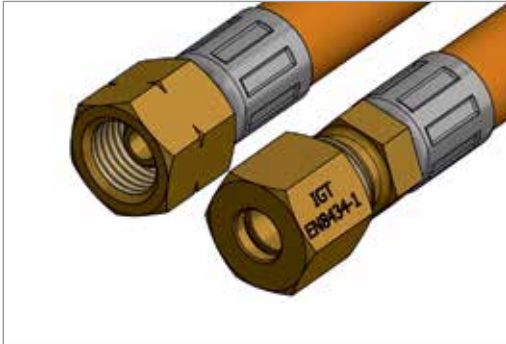
### Technical data

Gas type: propane/butane  
Inlet: 35 mm  
Outlet: 8mm/10mm/11mm  
Capacity: 1.5 - 2.0 kg/h  
With Excess flow  
With safety on-off switch  
With manometer for gas level/gas leak indication  
360degree rotating manometer  
Regulator Size: Diameterø63mm

### Inlets Available

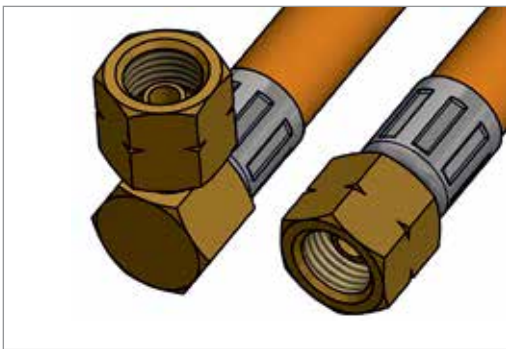
35mm - IE-DK-NO-FI-EE-CY-PT-ES  
BG - Special spindle version mandatory





### Rubber Hose - Low Pressure Assembly

Entry G1/4"-LH nut  
Exits compression fitting 8mm  
Reference S006-008



### Rubber Hose - Low Pressure Assembly

Entry G1/4"-LH nut -90 degree  
Exits G1/4"- LH nut  
Reference S006-054

For other hose combinations  
see LPG accessory brochure



### Quick Acting Valve

Valves and connections guarantee the safe and fault free operation of your gas system. They comply with all important safety requirements and ensure the connected gas appliances work perfectly and can be shut off.

Accessories for gas pressure regulation systems:

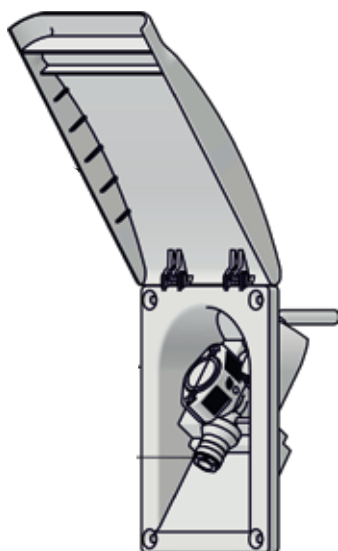
**Quick acting valves:** For shutting on/off gas lines.

**Manifold valves:** For the central connection of several gas applications. Heating - Stove - Fridge - Gas Outtake

**Coupling valves:** For connecting external appliances(e.g. gas barbecue).

**Safe connection and attachment:**  
EN8434 Compression fittings.  
Double O - Ring seal design for long life.  
Option: Steel nut & sleeves for steel tubes

## Accessories



### Gas Outtake Box

#### Gas extraction for outdoor Gas use

A gas out take point on your boat or caravan enables you to conveniently connect external gas appliances such as a barbecue, cooker, patio heaters or lights.

To install the gas socket, you also need a gas pipe with 8 mm diameter, and to extract gas you need a hose with a plug-in quick coupling. The socket is suitable for gas appliances with an operating pressure of 30 mbar.

Click cover - closing smoothly

Quick acting valve with quick coupling - Only open for gas flow when gas hose is connected.

Exchangeable cover - Wind stable - Various colors.

Optimized design for valve on/off operation and connection of gas hose.

#### Standard Colors:

- White – RAL9010
- Fiat white – Fiat210
- Light grey – NCS3000
- Charcoal grey – NCS7000



### Gas Leak Tester

The gas leak tester is used for mobile homes, leisure housing, caravan and boats where you have a combination of a LPG hose and 2- 15 meters of copper piping ending with a hose connecting to a gas appliance.

The leak tester monitors the gas tightness - a push on the black knob reveals any gas leaks downstream of the detector.

**Nut entry** 8mm compression

**Exits** 8mm compression

**Reference** A900-002

**Other versions available.**

## 06 GazOkay Leak Tester

### Minimize your risk of gas incidents & accidents

Maximum gas safety is the main concern of all gas appliance users globally. LPG is a very safe fuel to consume, however we all get shocked when gas incidents or even accidents happen. The GazOkay® leak test device is a new easy way to manage your risk concerns.

#### Instant gas leak test

GazOkay® will test your entire gas supply line instantly. Just press the knob and look at the built-in transparent window filled with liquid. It is easy to visually detect any gas leakage indication. Lack of gas bubbles in the window indicate a gas-tight installation. Visible gas bubbles indicate a gas leakage.

#### Flexible installation

GazOkay® is easy to install. It can be mounted at the inlet of your gas appliance, right after the regulator, or anywhere in the pipeline in-between – wherever you find the most convenient place of installation. You can choose between an upright or downward positioning version of the GazOkay® unit, whichever fits best with your gas appliance location.

#### Fits different setups

GazOkay® works with all types of gas cylinders and regulators as well as piped gas from a central supply system. It comes in several variants to easily fit different setups. You can choose between threaded connections or hose nozzle/sleeve/or compression fittings for easy installation.



Scan QR Code  
to watch video



Gas Okay  
Standard Device



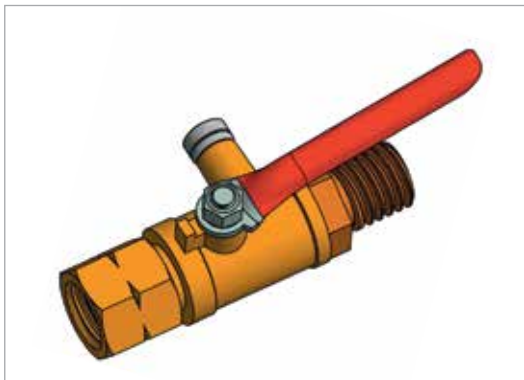
Accessory:  
Diode Light-Lamp



With Aluminum  
Wall-Table Bracket

# Accessories

## Ball Valve



**Nut entry** G 1/4" nut  
**Exits** G 1/4" female  
**Reference** A900-V002

## Needle Valve 90° angle



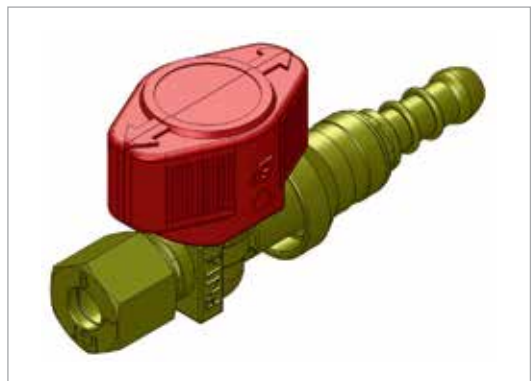
**Nut entry** M16x1,5 inlet  
**Exits** G12  
**Reference** A900-317

## Compression to Quick acting valve



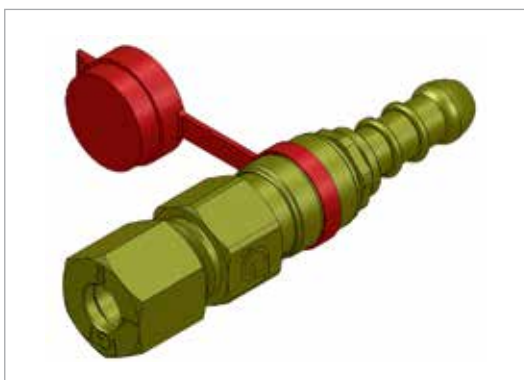
**Nut entry** 8mm compression  
**Exits** Quick acting valve 3 way 8mm tube  
**Reference** A900-240

## Compression to Quick acting valve



**Nut entry** 8mm compression  
**Exits** Quick acting valve 8mm nozzle  
**Reference** A900-226

## Compression fitting to Quick coupling



**Nut entry** 8mm compression fitting  
**Exits** Quick coupling 8mm nozzle  
**Reference** A900-225

## Nut to Quick coupling



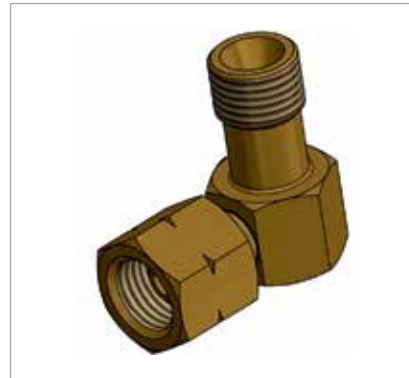
**Nut entry** G1/4" LH nut male  
**Exits** 10mm nozzle female quick coupling  
**Reference** A900-256

## Adaptor G12



**Nut entry** G12 nut  
**Exits** G12 male 90°  
**Reference** A900-344

## Hose adaptor



**Nut entry** G1/4" LH male angled 90°  
**Exits** G1/4" LH female  
**Reference** A900-141

## Needle valve



**Nut entry** Needle valve Triple  
**Exits** G1/4" LH  
**Reference** A900-332

## Compression fitting bulkhead



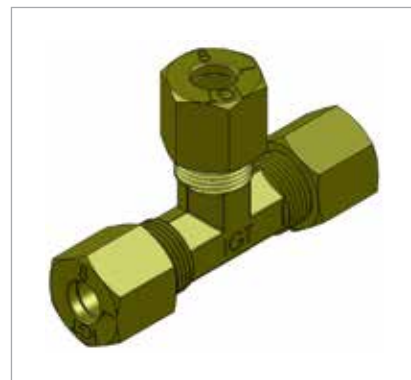
**Nut entry** Compression fitting 3/8"  
**Exits** straight bulkhead EN8434  
**Reference** A900-221

## Compression fitting 90° angle bulkhead



**Nut entry** Compression fitting 8 mm  
**Exits** angled 90° Bulkhead  
**Reference** A900-169

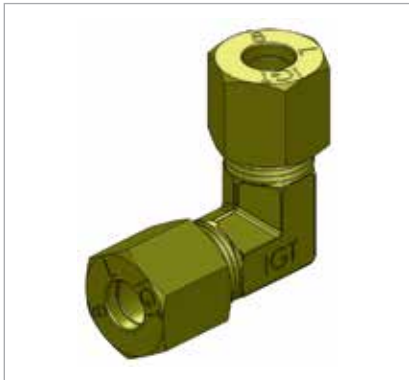
## T-Compression fitting



**Nut entry** T-Compression fitting 8 mm  
**Exits** 8mm  
**Reference** A900-147

## Accessories

### Compression fitting 90° angle



**Nut entry** Angled 90° compression fitting 8 mm

**Exits** 8 mm

**Reference** A900-146

### Union Compression fitting



**Nut entry** Union 8 mm compression fitting

**Reference** A900-145

See LPG accessory brochure for the total line of fittings and valves.







[WWW.IGT-LPG.COM](http://WWW.IGT-LPG.COM)

Version 1.0



**Integrated Gas  
Technologies**

**Denmark**

**HEAD OFFICE IN DENMARK**  
**INTEGRATED GAS TECHNOLOGIES**  
Gydevang 39-41 DK-3450 Allerød Denmark  
Tel: 0045-4576 9921 | Fax: 0045-4576 9821  
E: sales@igt-lpg.com | W: www.igt-lpg.com

**FACTORY IN CHINA**  
**NINGBO SHUAI XIAN REGULATOR CO. LTD**  
No 566, Jinshan Road, Zone C, Investment center  
Jiangbei District, Ningbo Zhejiang, China  
E: sales@igt-lpg.com | W: www.igt-lpg.com

**FACTORY IN INDIA**  
**INTEGRATED GAS CONTROLS TECHNOLOGIES PVT. LTD**  
Survey No.784, 14-59/3A,  
Medchal Village, Near Ravalkole  
"X" Road, Medchal Mandal  
& Medchal - Makajgir District.  
E: info@igt-lpg.in | W: www.igt-lpg.in

