



**Integrated Gas Technologies**

# GAS FILTER

The upper cup contain the gas filter. Replacement of the gas filter requires a wrench and is recommended done by a professional gas fitter.

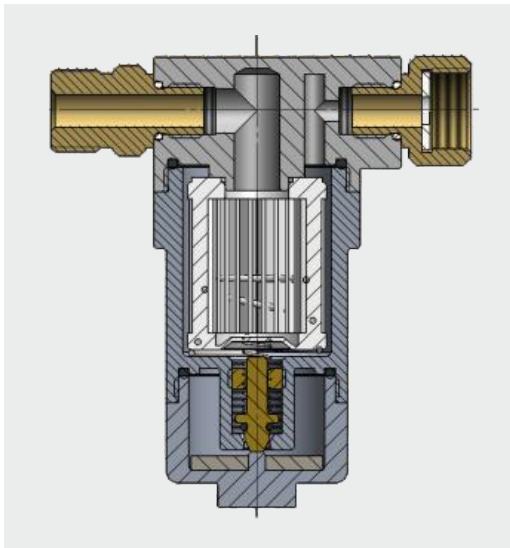
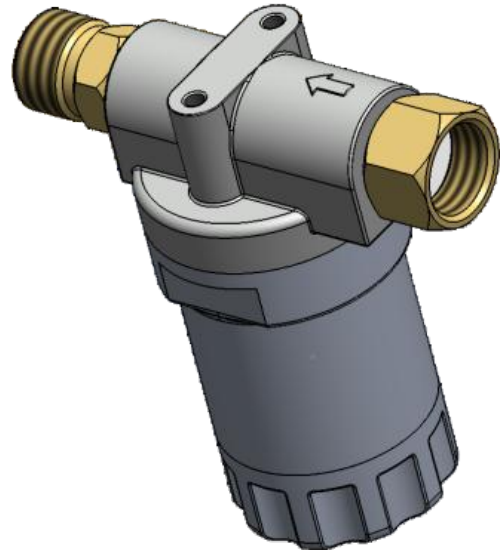
The lower cup contains the gas pad that absorb the heavy ends and dirt. This can be unscrewed by hand by end user and gas pad can be exchanged regularly.

The inbuilt check valve closes the High Pressure upper gas filter unit of from the lower cup when the lower part is being unscrewed.

This safeguard the enduser against unwanted release of high pressure gas from the gas hose and upper filter unit.

The check valve allows exchange of the gas pads by end user without first emptying the complete gas system.

The gas filter extend the life time of the changeover regulator and ensure a trouble free use.



Item No	Inlet	RVS 8 mm
A900-F001	RVS 8 mm	RVS 8 mm
A900-F002	RVS10 mm	RVS 10 mm
A900-F003	G1/4" Lh Male	G1/4" Lh Nut
A900-F004	M20x1,5 Male	M20x1,5 Nut
A900-F005	G5 Kombi	G12 KLF
A900-F999		Replacement filter
A900-F992		10 pcs gas pads

RVS 8 mm = 8 mm compression fitting to EN8434

RVS 10 mm = 10 mm compression fitting to En8434

**Working pressure : 16 bar**

**Filter Unit :** Absorb 99% of dirt and heavy ends

**Gas pad in lower cup :** Cotton pad that absorb the liquid residue and dirt.

As a global gas regulator manufacturer IGT takes pride in product quality & durable products. We support UN Sustainable Development Goals with special focus on 3, 12 & 13. An extended product lifetime reduces environmental footprint.



**INTEGRATED GAS TECHNOLOGIES ApS**

Gydevang 39-41 , 3450 Allerød Denmark.

E-Mail: sales@igt-lpg.com - Tel: +45 45 76 99 21



Scan Qr Code to Visit Our Website  
[www.igt-lpg.com](http://www.igt-lpg.com)